

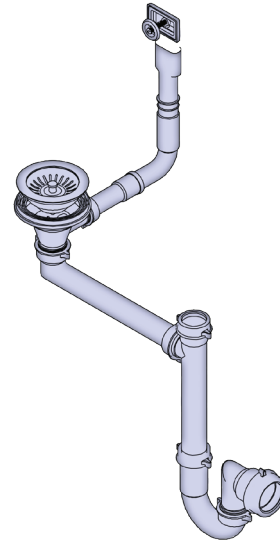
## SPECIFICATIONS

### DESCRIPTION

- Supplied with basket waste kit
- Supplied with overflow connection kit
- Supplied with waste connection kit

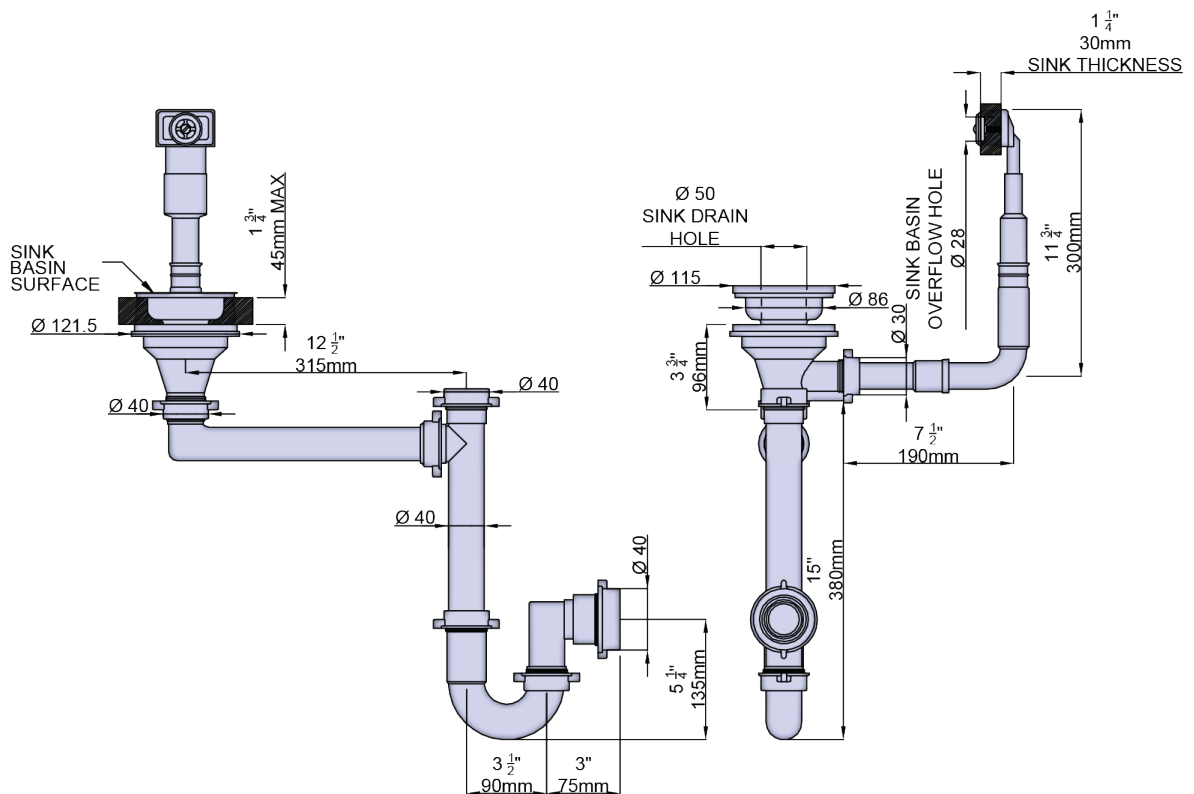
### WARRANTY

- [www.perrinandrowe.co.uk](http://www.perrinandrowe.co.uk)



## Single Bowl Waste and Overflow Kit

MODELS: 6400



+44 (0) 1708 526 361

[www.perrinandrowe.co.uk](http://www.perrinandrowe.co.uk)

A DISTINCTIVE MEMBER OF THE HOUSE OF ROHL