

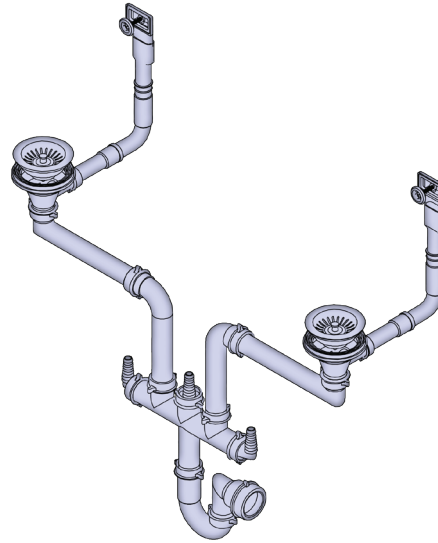
SPECIFICATIONS

DESCRIPTION

- Supplied with basket waste kit
- Supplied with overflow connection kit
- Supplied with waste connection kit

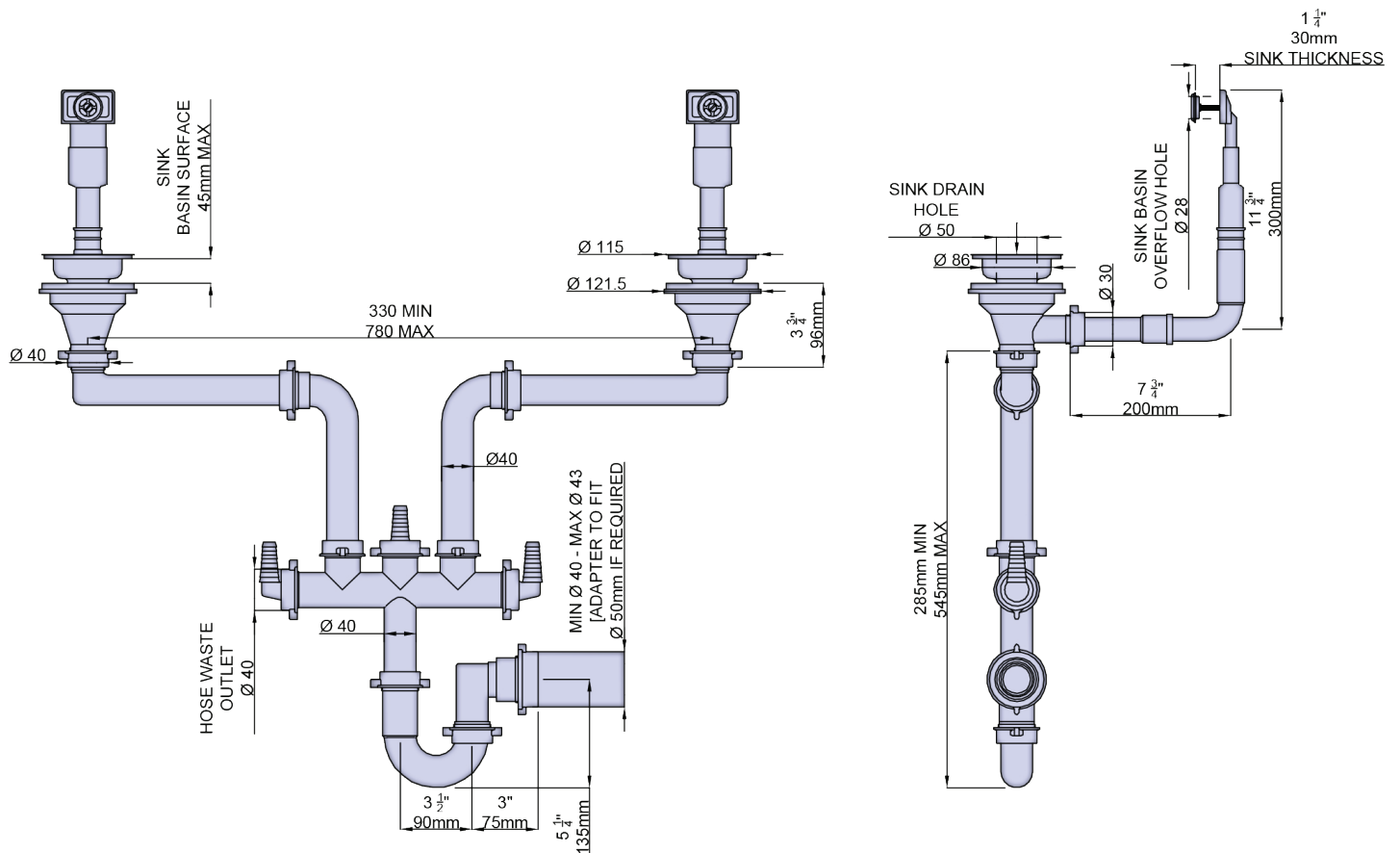
WARRANTY

- www.perrinandrowe.co.uk



Double Bowl Waste and Overflow Kit

MODELS: 6475



+44 (0) 1708 526 361

www.perrinandrowe.co.uk

A DISTINCTIVE MEMBER OF THE HOUSE OF ROHL